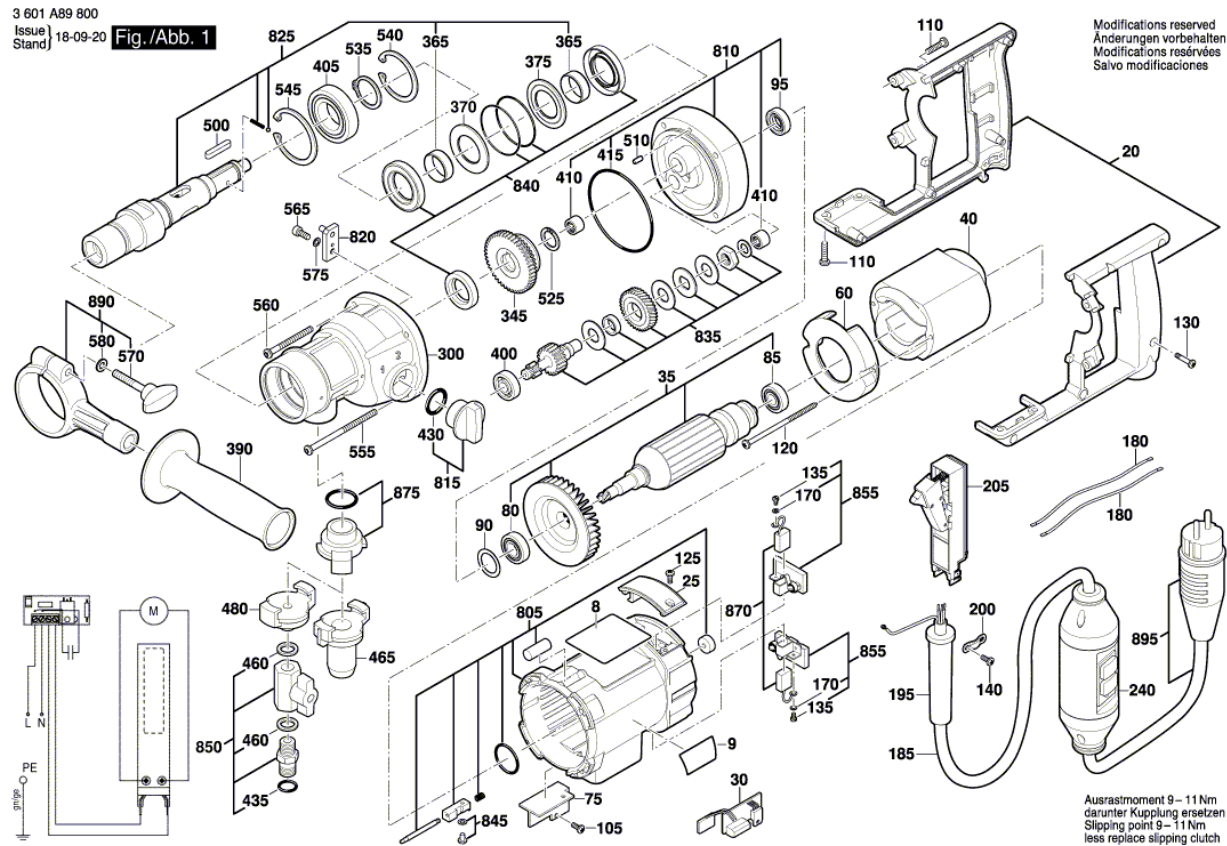


Illustration - Type - E



Spare parts list

Item	Part Number	Description	Illustration
8	1 619 PB1 103	Nameplate	1
9	1 619 P31 251	Manufacturer's nameplate	1
20	1 600 A00 4XT	Handle Cover	1
25	1 600 A00 4XU	Brush-Cover	1
30	1 600 A01 AM3	Printed Circuit Board	1
35	1 600 A00 4XW	Armature With Fan 230V	1
40	1 604 220 538	Field 220V	1
60	1 600 591 05K	Air-Deflector Ring	1
75	1 600 A00 4XX	Cooling Sheet	1
80	1 600 900 04C	groove ball bearing	1
85	1 600 900 04D	groove ball bearing	1
90	1 600 A00 4XY	Shim	1
95	1 600 A00 4Y0	Rotary shaft lip seal	1
105	1 600 A00 4Y1	Oval-Head Screw	1
110	1 600 A00 4Y2	Plastic-Cutting Screw 5,0x20	1
120	1 600 A00 4Y3	Oval-Head Screw 4,2x90	1
125	1 600 A01 9B6	Plastic-Cutting Screw 4,0 x 10	1
130	1 600 A00 4Y5	Oval-Head Screw 3,9x19	1
135	1 603 410 01B	Socket head cap screw M3x5	1
140	1 600 A00 4Y4	Oval-Head Screw 3,9x9,5	1
170	1 600 A00 4Y6	Plain Washer 3,2x6x0,5	1
180	1 600 A00 4Y7	Stranded Hook-Up Wire	1
185	1 600 A00 4Z0	Mains Cable	1
195	1 600 703 04B	Cord guard	1
200	1 600 A00 4Y8	Fastening Clamp	1
205	1 600 A00 4Y9	Mains switch	1
240	1 607 200 38P	Switch	1
300	1 605 806 58Z	Gear Housing	1
345	1 600 A00 4YA	Cylindrical Gear	1
365	1 600 A00 4YB	Protection Sleeve	1
370	1 600 A00 4YC	Protective Washer	1
375	1 600 A00 4YD	Protective Washer	1
390	1 602 025 07S	Auxiliary Handle	1
400	1 600 900 04E	groove ball bearing	1
405	1 600 900 04F	groove ball bearing	1

Spare parts list

Item	Part Number	Description	Illustration
410	1 600 A00 4YE	Needle bearing	1
415	1 600 210 062	O-Ring	1
430	1 600 210 063	O-Ring	1
435	1 600 210 064	O-Ring	1
460	1 600 A00 4YF	Seal Ring	1
465	1 600 A00 4YG	Hose Coupling	1
480	1 600 A00 4YH	Threaded Fitting	1
500	1 600 A00 4YJ	Parallel Key	1
510	1 600 A00 4YK	Straight Pin	1
525	1 600 150 01P	Spring retaining ring	1
535	1 600 150 01R	Spring retaining ring	1
540	1 600 150 01S	Spring retaining ring	1
545	1 600 150 01T	Spring retaining ring	1
555	1 603 430 013	Screw	1
560	1 603 430 015	Screw	1
565	1 600 A00 4Z6	Hex Socket Head Cap Screw M5x12	1
570	1 603 480 025	Wing Screw	1
575	1 600 A00 4YM	Locking Washer	1
580	1 600 A00 4YL	Plain Washer	1
805	1 605 108 2B7	Motor Housing	1
810	1 600 A00 5AV	Intermediate Flange	1
815	1 602 026 101	Clamp Handle	1
820	1 600 A00 6FT	Control Lever	1
825	1 600 A00 4YV	Drilling Spindle	1
835	1 600 A00 5AW	Gear	1
840	1 600 A00 5AX	Fastening set	1
845	1 600 A00 5B6	Parts Set	1
850	1 600 A00 5AY	Isolating Valve	1
855	1 600 A00 4YP	Brush Holder	1
870	1 607 014 17L	Carbon-Brush Set	1
875	1 600 A00 4YU	Coupling	1
890	1 600 A00 4Z7	Support clamp	1
895	1 604 460 71N	Power supply cord	1